

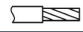











Technical data		 11.12.2017
Description:	Terminal block RKA 300	
Construction:	Fingersafe IP 20	
Item no. :	087910	

Remarks:	The product is compliant with the EC ROHS directives	
Standards:	IEC 60947-1 	UL 1059, CSA-C22.2 No. 158 
Nominal Voltage:	1.000 V AC / 1.000 V DC	600 V AC
Nominal current:	Cu 520 A	Cu 420 A, Al 340 A
Rated cross-section:	300 mm ²	600 kcmil
Impulse withstand voltage:	8 kV	
Pollution degree:	3	
Surge voltage category:	III	
CTI value:	550	550

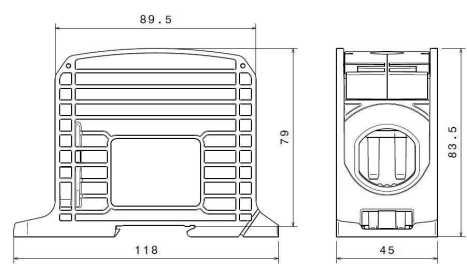
Terminal cross section:	no. of connections: 2 x 300 mm ² (all conductor types)			no. of connections: 2 x 600 kcmil (all conductor types)		
		IEC 60947-1		UL 1059, CSA-C22.2 No. 158		
		Cu		Cu		Al
						
300 mm ²						
240 mm ²						
185 mm ²	45 Nm		45 Nm	33,9 Nm		65 Nm
150 mm ²						
120 mm ²						
95 mm ²						
70 mm ²			30 Nm			
50 mm ²						
35 mm ²						
stripping length allen screw		34 mm		34 mm		
		M24 (SW 12 mm)		M24 (SW 12 mm)		

Measurement connection:	no. of connections: 1 x 10 mm ² (all conductor types)			no. of connections: 1 x AWG 8 (all conductor types)		
		IEC 60947-1		UL 1059, CSA-C22.2 No. 158		
		Cu		Cu		Al
						
10 mm ²						
6 mm ²						
4 mm ²	1,2 Nm		1,2 Nm	2,3 Nm		2,3 Nm
2,5 mm ²						
1,5 mm ²						
stripping length screw		10 mm		10 mm		
		M4 (+/- PZ2)		M4 (+/- PZ2)		

Materials:	Terminal body:	Aluminium	tin plated
	Housing:	PA 6 (Halogen-free)	
	Screws:	Steel	zinc plated

Flame resistance:	Self-extinguishing
-------------------	--------------------

Mechanical data:	Dimensions:	width x height x depth (mm):	45 x 83,5 x 118
------------------	-------------	------------------------------	-----------------



Design				
Basic housing colour – light grey RAL 7035				
Part no.	Design	Cover colour	PU	GTIN (EAN)
087910-0-3	L G	light grey RAL 7035	1 / 12	4051589879101
087910-1-3	N	light blue RAL 5012	1 / 12	4051589879118
087910-2-3	PE	yellow-green RAL 6018	1 / 12	4051589879125
087910-3-3	L B	clay brown RAL 8003	1 / 12	4051589879132
087910-4-3	L S	jet black RAL 9005	1 / 12	4051589879149